

**Coaxial Cabling : HD-TVI/AHD/HDCVI/CVBS Video Distributor**  
**ITEM NO.: CD104HD HD-TVI/AHD/HDCVI 1 input 4 output Video Distributor**



CD104HD is 1 input 4 output HD-TVI/AHD/HDCVI Video distributor. They are suitable for far distance, different floor in a building or different electrical field.

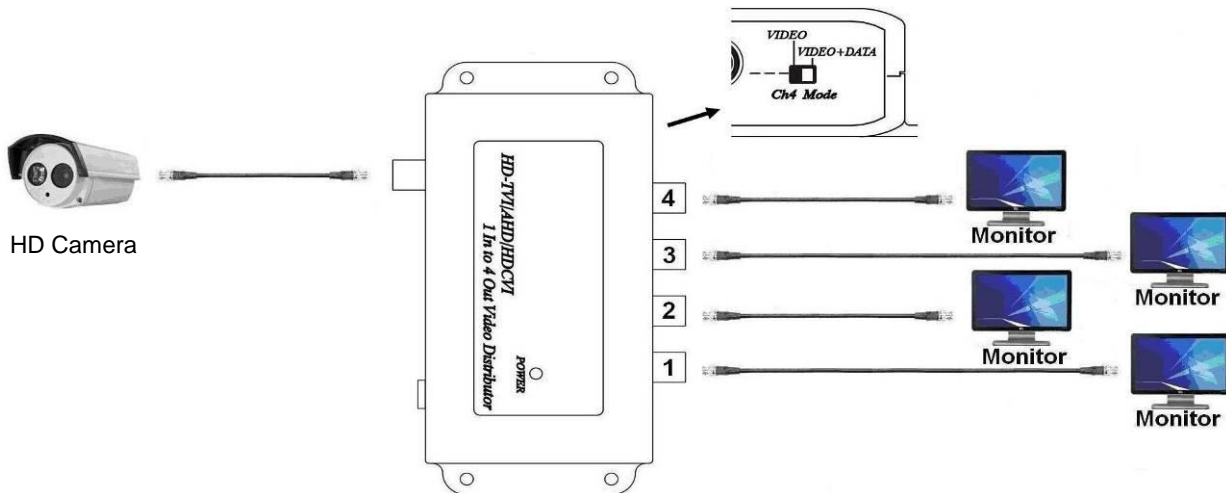
**CD104HD HD-TVI/AHD/HDCVI 1 Input 4 Output Video Distributor**

**Features:**

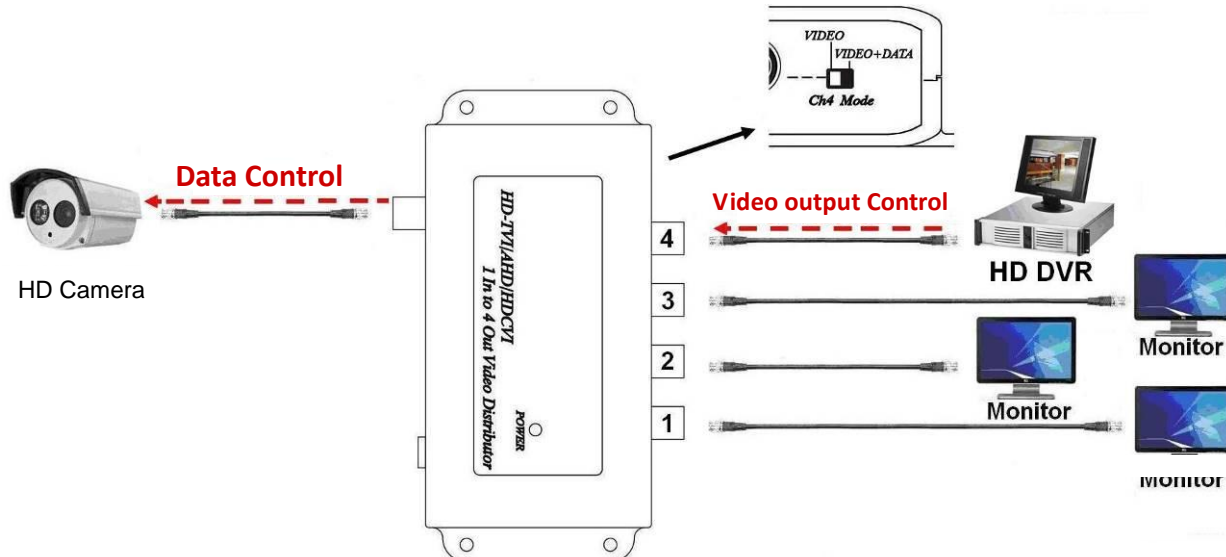
- 1 Video input to 4 video output.
- Support HD-TVI, AHD, HDCVI, 960H, NTSC, PAL video signal.
- Support high resolution up to 4K/1080P without any video loss.
- Channel 4 support one output support HD video + data control mode (Up the coax).
- Built in TVS protection.

**Installation View:**

**Slide switch at video:**



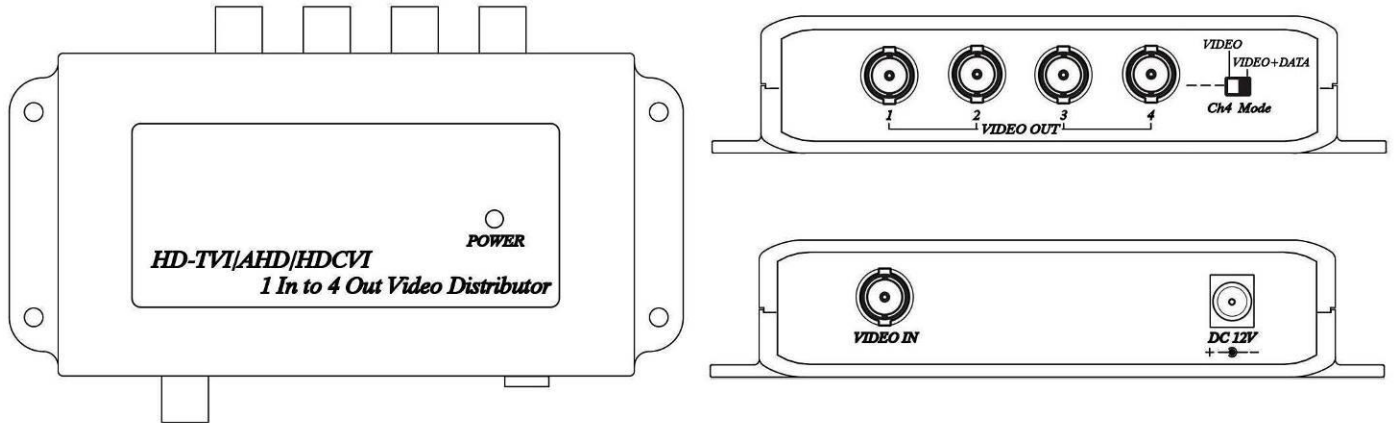
**Slide switch at VIDEO+DATA:**



## Dip Switch Mode Function :

VIDEO	Output 4 support video only.
VIDEO + DATA	Output 4 support HD camera video with data control signal

## Panel View:



## Cable & Transmission Distance :

Link cable recommend use high quality 75ohm coaxial RG59/RG6U cable. The transmission distance will be affected by different quality of Camera, DVR and BNC connector, cable, installation...etc.

## LED Indication:

GREEN	
ON	Power ON
OFF	Power OFF

## Caution :

1. Output 4 under Video+Data mode, the output must connect with HD-DVR. Not allow to connect with CVBS Camera/DVR.

## Specifications:

ITEM NO.	CD104HD
Video Input Channel	BNC x 1, 75Ω, 1Vpp
Video Output Channel	BNC x 4 75Ω, 1Vpp
Video Bandwidth	100MHz 0.1dB Gain Flatness
Power Supply	DC12V 500mA
Power Consumption	110mA (Max)
Temperature	Operation: 0 to 55°C, Storage: -20 to 85°C, Humidity: up to 95%
Dimensions mm	138 x 85.6 x 29.5
Weight g	140

RoHS CE FC

2016.08.03 Rev.B1